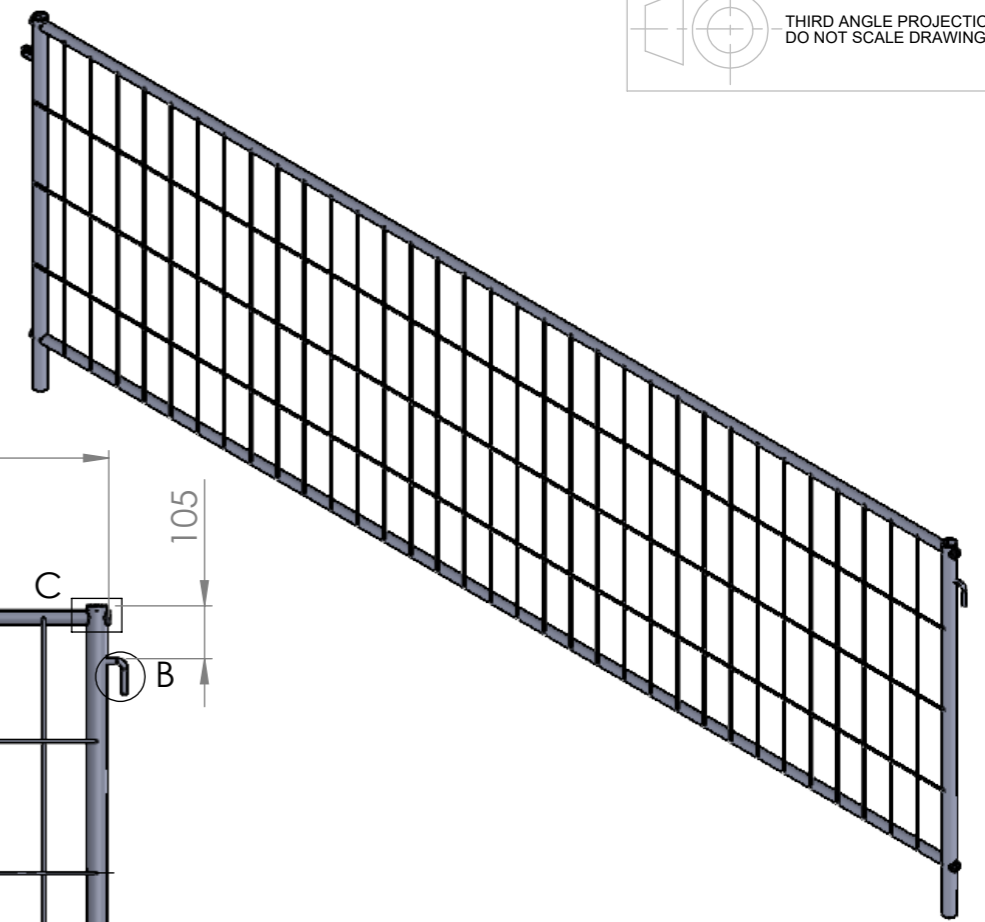
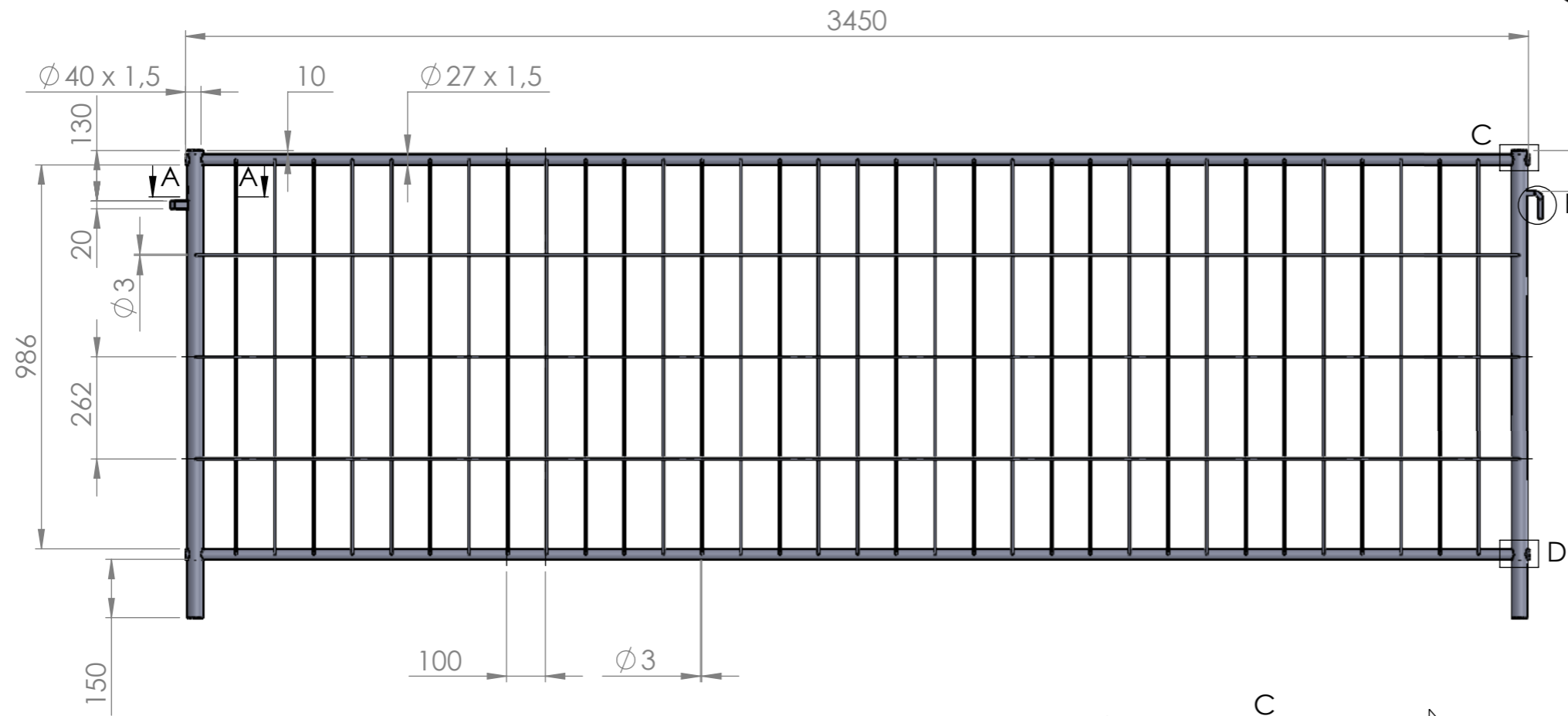
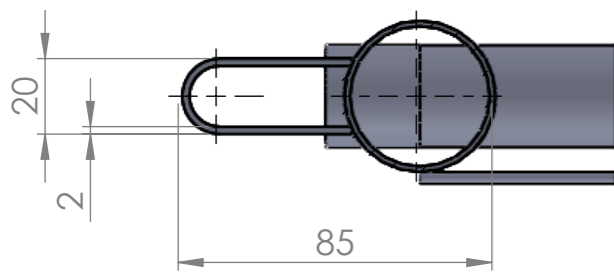


ALL DIMENSIONS IN MILLIMETERS

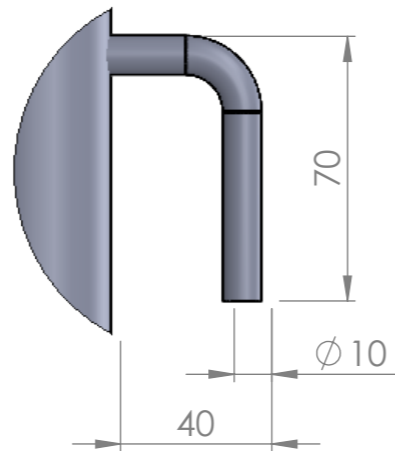
THIRD ANGLE PROJECTION  
DO NOT SCALE DRAWING



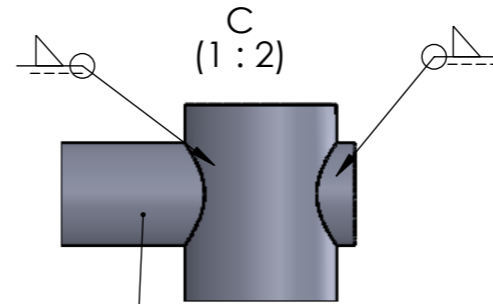
A-A  
(1:2)



B  
(1:2)

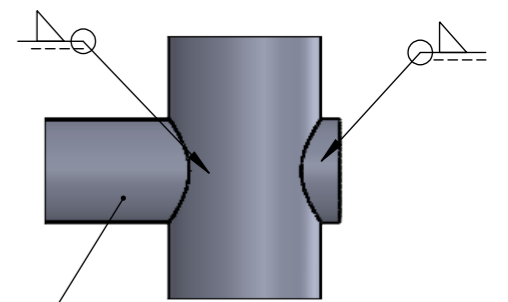


C  
(1:2)



Cross tube recessed into the vertical tube

D  
(1:2)



Cross tube recessed into the vertical tube

TITLE: Euro 27 DUO Super HD 1,2				WEIGHT: 13 kg	
DRAWN	NAME	SGN	DATE	TOLERANCE: ±5%	
CHK'D	BINCZAK		01/09/24	CODE: 10067.7	
FINISH:				Revision	

