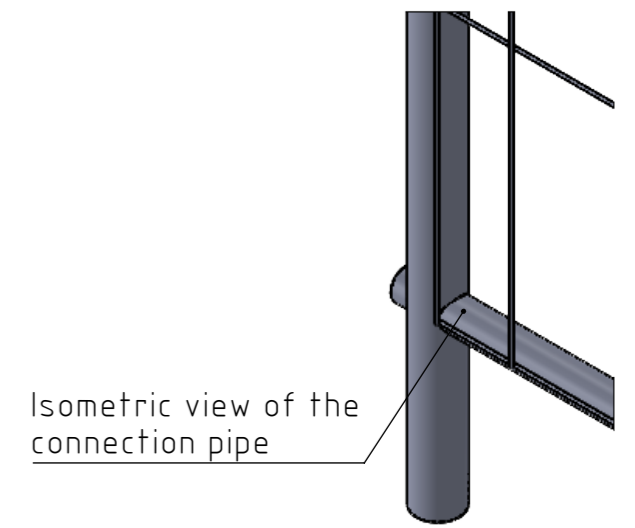
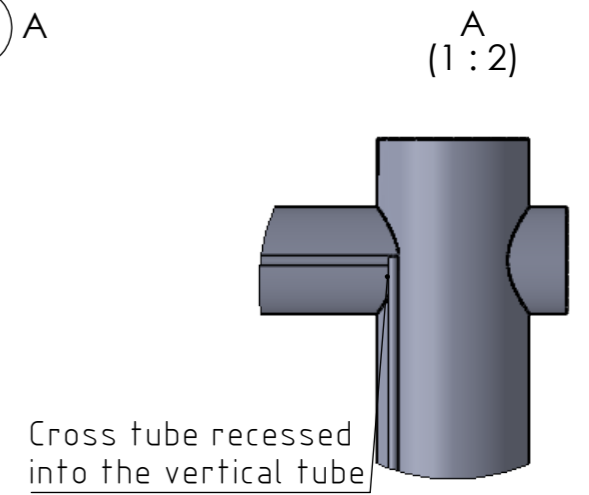
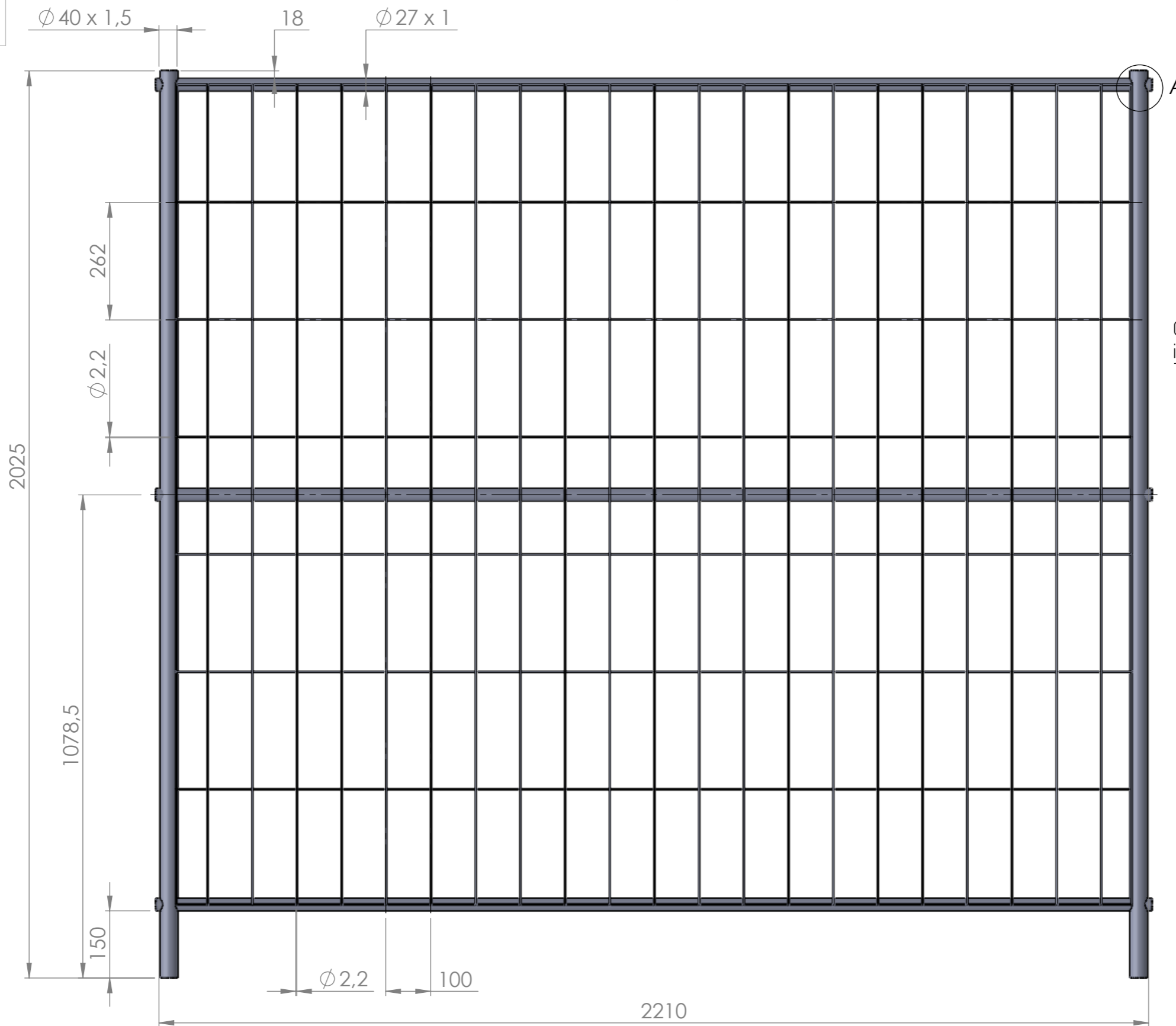
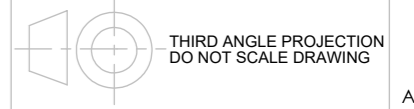


ALL DIMENSIONS IN MILLIMETERS



TITLE: Euro 27 DUO 3 H				
Ausgleich / compositing				
	NAME	SGN	DATE	WEIGHT:
DRAWN	BINCZAK		30/08/24	18 kg
CHK'D				
FINISH:	HOT DIPPED GALVANISED		TOLERANCE:	±5%



CODE: 10071.3
 SCALE: 1:10
 SHEET 1 OF 1
 Revision